

**GROVE**
 HYDRAULIKPUMPEN VORMONTAGE  
 HYDR.-PUMPS

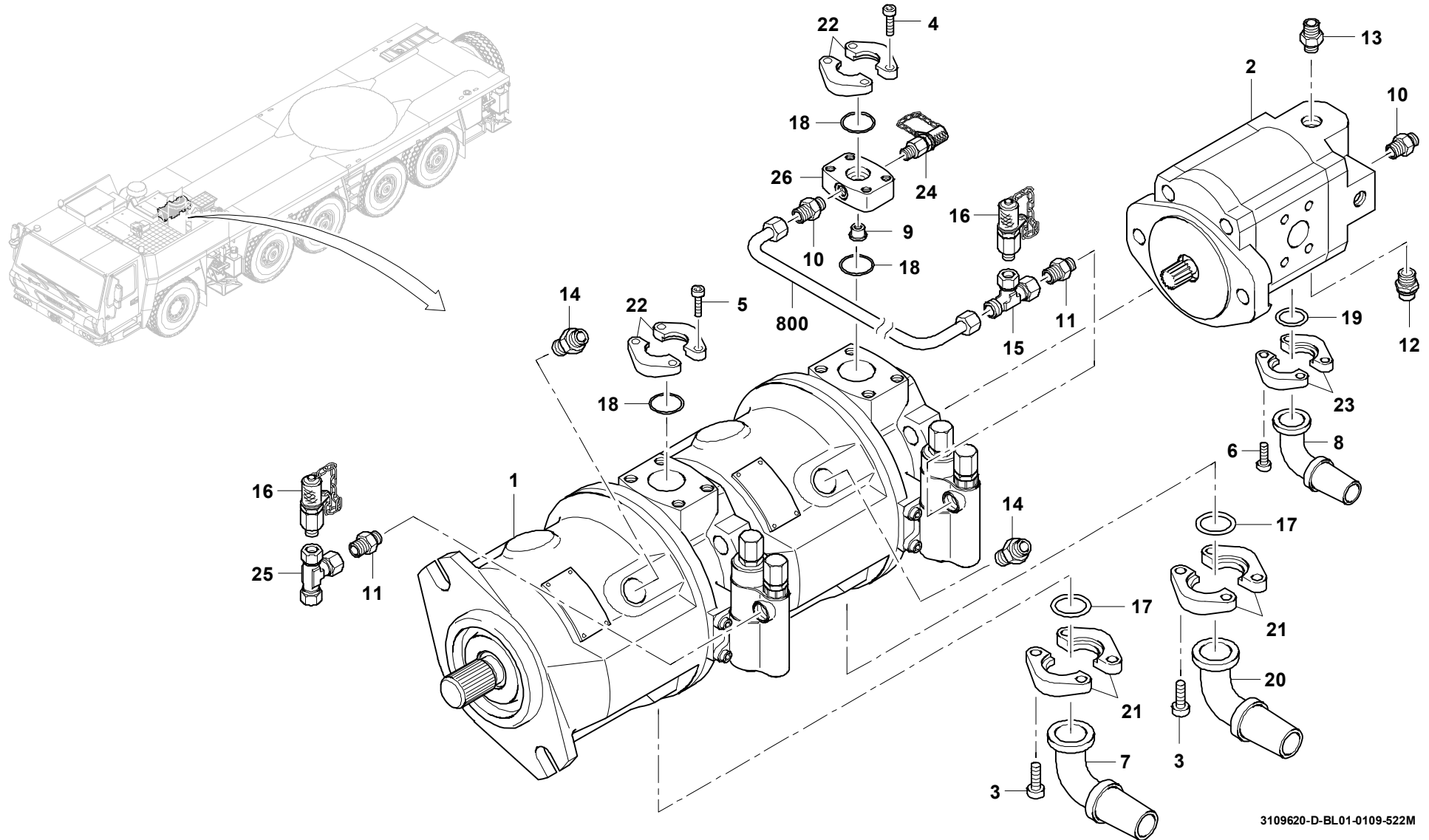
 BILDTADEL  
 PICTORIAL DISPLAY

**GMK 5220**  
**BE 505**  
**G 781**

01.09

**3109620-ETL D**

1/1



3109620-D-BL01-0109-522M